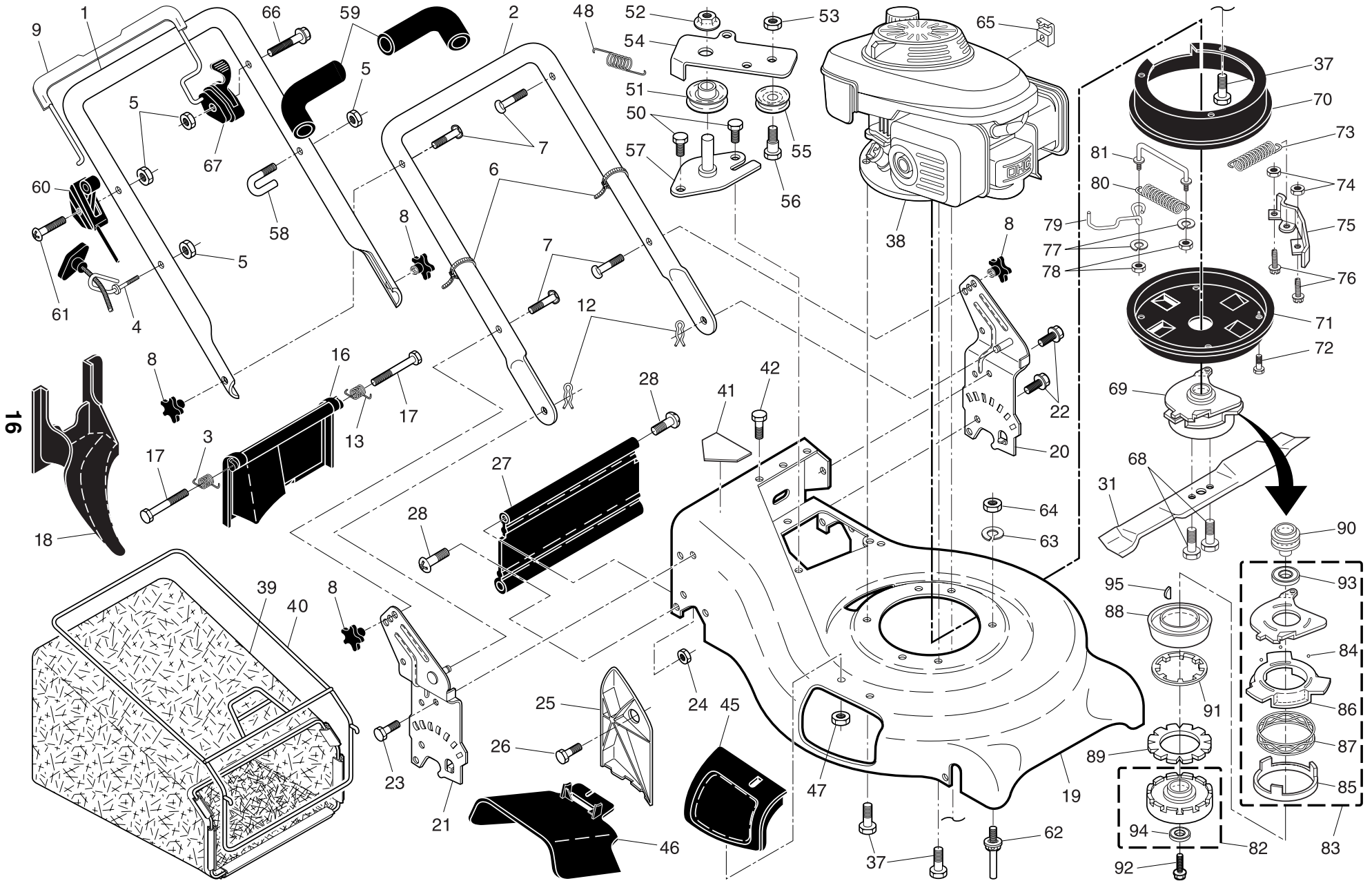


# ROTARY LAWN MOWER - - MODEL NUMBER 5521BBC (9614500201) - PRODUCT NUMBER 961 45 00-02



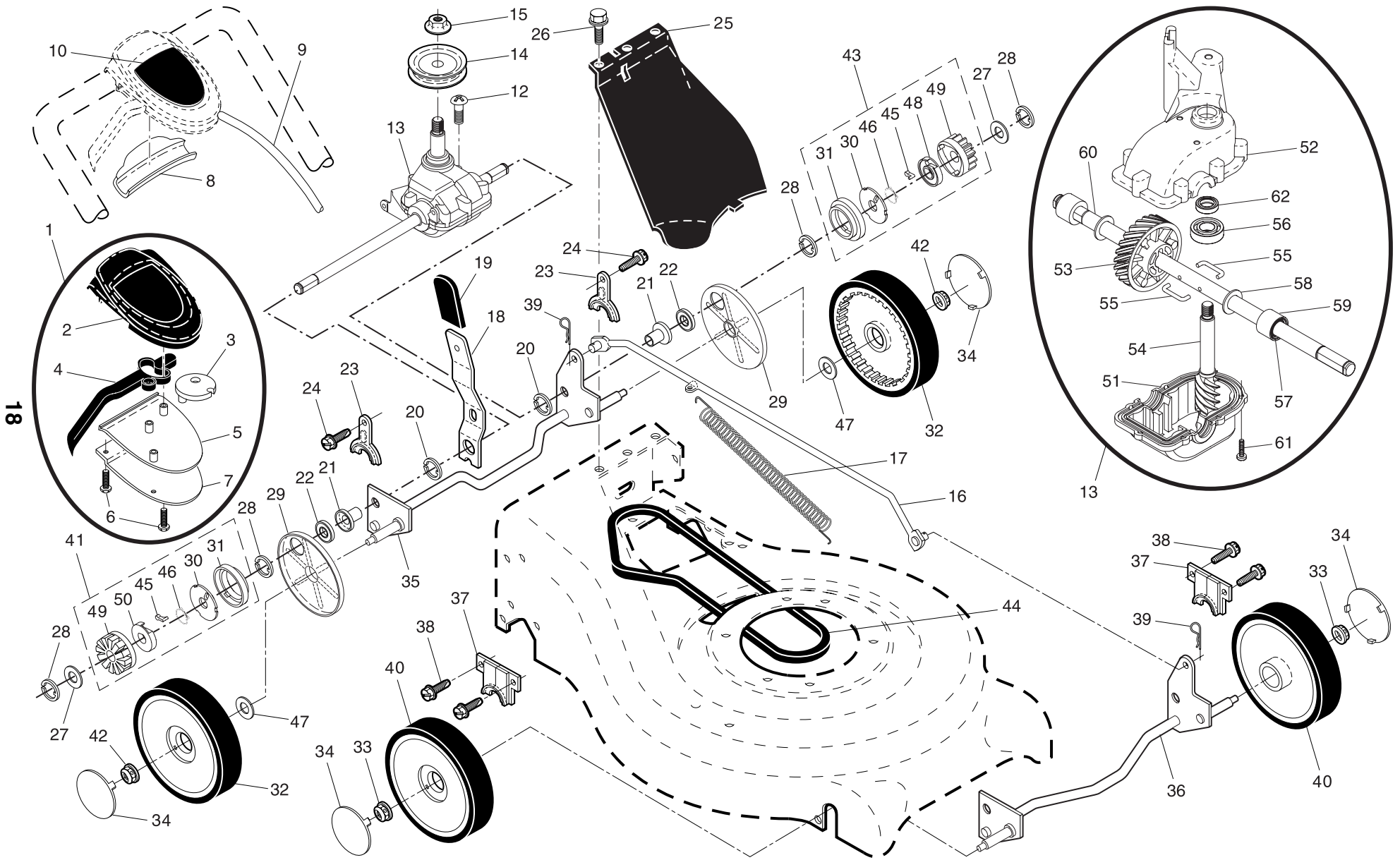
# ROTARY LAWN MOWER - - MODEL NUMBER 5521BBC (96145000201) - PRODUCT NUMBER 961 45 00-02

KEY NO.	PART NO.	DESCRIPTION	KEY NO.	PART NO.	DESCRIPTION
1	532 18 97-40	Handle, Upper (Includes Foam Grip)	55	532 16 60-43	Idler Pulley
2	532 19 60-05	Handle, Lower	56	532 16 08-29	Shoulder Bolt
3	532 18 60-53	Spring, Rear Door, RH	57	532 19 68-13	Bracket Assembly
4	532 17 95-85	Guide, Rope, Side	58	532 18 20-03	Clip
5	532 13 20-04	Nut, Hex Lockwasher Insert 1/4-20	59	532 18 27-48	Grip, Handle, Foam, Smooth (one side)
6	532 06 64-26	Wire, Tie	60	532 19 08-78	Throttle / Engine Control
7	532 19 15-74	Bolt, Handle 5/16-18 x 1.75	61	532 18 33-65	Screw, Hex Head 1/4-20 x 2-1/8
8	532 18 55-88	Knob, Handle	62	532 18 21-31	Belt Guide, Stud
9	532 19 49-19	Bar, Control, Auto-Walk	63	532 85 02-63	Washer, Lock 3/8
10	532 18 88-21	Bolt, Carriage	64	873 90 06-00	Nut, Hex 3/8-16
11	873 93 05-00	Nut, Hex, Centerlock 5/16-18 UNC	65	532 19 09-03	Bracket, Throttle
12	532 05 17-93	Cotter, Hairpin	66	532 18 99-37	Screw, Hex Washer Head 1/4-20 x 1/2
13	532 18 60-52	Spring, Rear Door, LH	67	532 18 37-07	Blade Brake / Clutch Control
16	532 19 05-74	Rear Door Assembly	68	532 18 04-60	Bolt, Hex Head
17	532 18 41-93	Bolt, Rear Door	69	- - -	Blade Brake / Clutch (Includes Key Numbers 82-95)
18	532 18 75-35	Plug, Mulcher	70	532 19 49-20	Belt Cover, Upper
19	532 19 49-16	Kit, Housing	71	532 18 01-91	Belt Cover, Lower
20	532 19 49-17	Handle Bracket Assembly, LH	72	532 75 00-97	Screw, Tapping, Hex Washer Head #10-24
21	532 19 49-18	Handle Bracket Assembly, RH	73	532 18 03-93	Spring
22	532 15 00-78	Screw, Hex Washer Head	74	873 90 04-00	Nut, Hex, Centerlock, Zinc Plated 1/4-20
23	532 16 31-83	Bolt, Hex Head 5/16-18 x 5/8	75	532 19 09-29	Brake, Clutch
24	873 80 05-00	Nut, Hex, with Lock Washer Insert 5/16-18	76	874 78 04-10	Bolt, Hex Cap Head 1/4-20 x 5/8
25	532 16 13-33	Baffle, Side	77	532 05 39-98	Washer, Flat
26	532 16 34-09	Screw 12 x 5/8	78	873 51 06-00	Nut, Hex 3/8-16
27	532 18 89-86	Skirt, Rear	79	532 18 21-32	Belt Keeper
28	532 08 86-52	Screw, Hinge 1/4-20 x 1.25	80	532 18 03-94	Spring
31	532 18 04-59	Blade, 21"	81	532 18 01-88	Link, Torque
37	532 15 04-06	Bolt, Engine	82	532 19 50-49	Holder Assembly, Blade
38	- - -	Engine, Honda, Model No. GCV160 (For engine service and replacement parts, call Honda at 1-800-426-7701)	83	532 19 50-72	Plate Assembly, Ball Control
39	532 19 47-16	Grassbag	84	532 19 50-53	Ball, Steel
40	532 18 88-17	Frame, Grassbag	85	532 19 50-73	Plate, Spring Hook
41	532 10 73-39	Danger Decal	86	532 19 50-74	Plate, Brake
42	532 05 45-83	Screw	87	532 19 50-57	Spring, Ball Plate
45	532 19 05-10	Mulcher Door Assembly	88	532 19 50-60	Disk, Drive
46	532 19 05-76	Deflector, Discharge	89	532 19 50-63	Disk, Driven
47	532 08 83-49	Nut, Hex	90	532 19 50-64	Pulley, Drive
48	532 18 88-26	Spring, Return	91	532 19 50-65	Spring, Clutch
50	532 05 78-08	Screw	92	532 19 50-67	Bolt, Flange (10 x 24)
51	532 19 37-91	Pulley Assembly, V-Groove	93	532 19 50-68	Bearing, Radial Ball (6006)
52	532 14 52-12	Flange Nut	94	532 19 50-69	Bearing, Radial Ball (6204)
53	532 15 55-52	Locknut	95	532 19 50-70	Key, Woodruff (16 x 15)
54	532 19 68-12	Idler Arm	--	532 16 23-00	Warning Decal (not shown)
			--	532 19 68-08	Owner's Manual, English / French

**NOTE:** All component dimensions given in U.S. inches. 1 inch = 25.4 mm

**IMPORTANT:** Use only Original Equipment Manufacturer (O.E.M.) replacement parts. Failure to do so could be hazardous, damage your unit and void your warranty.

# ROTARY LAWN MOWER - - MODEL NUMBER 5521BBC (9614500201) - PRODUCT NUMBER 961 45 00-02



# ROTARY LAWN MOWER - - MODEL NUMBER **5521BBC** (96145000201) - PRODUCT NUMBER 961 45 00-02

KEY NO.	PART NO.	DESCRIPTION	KEY NO.	PART NO.	DESCRIPTION
1	532 19 67-55	Drive Control Assembly, Auto-Walk	32	532 18 07-74	Wheel, Driven, Rear 9 x 2
2	532 19 57-61	Cover, Top, Auto-Walk Drive Control	33	532 08 39-23	Nut, Hex, Flangelock 3/8-16
3	532 18 73-53	Pulley	34	532 18 06-26	Hubcap
4	<b>532 19 00-39</b>	Lever, Auto-Walk Drive Control	35	532 19 12-05	Shaft Assembly, Rear
5	532 19 57-62	Cover, Bottom, Auto-Walk Drive Control	36	532 16 45-50	Shaft Assembly, Front
6	532 18 16-98	Screw, Phillips Head #10 x 5/8	37	532 16 14-63	Retainer, Front Shaft
7	532 18 70-97	Plate, Trigger, Auto-Walk Drive Control	38	532 16 34-09	Screw #12 x 5/8
8	532 18 62-97	Cap, Drive Control, Bottom	39	532 70 02-79	Clip, Retainer
9	<b>532 19 67-84</b>	Cable, Drive Control	40	532 15 03-39	Wheel, Front 8 x 2
10	532 18 90-74	Decal, Drive Control	41	532 18 83-30	Pinion Assembly, RH
12	532 18 76-53	Screw	42	532 14 52-12	Nut, Hex
13	532 18 86-45	Gear Case Assembly, Complete	43	532 18 83-31	Pinion Assembly, LH
14	532 19 41-28	Pulley, Drive	44	532 18 22-12	V-Belt
15	532 13 20-10	Nut, Hex, Flangelock, Zinc Plated 3/8-16	45	532 17 50-98	Pawl
16	532 16 15-84	Rod, Connecting	46	532 18 82-91	Spring, Torsion
17	532 16 16-02	Spring, Extension	47	532 06 77-25	Washer 1/2 x 1-1/2 x .134
18	532 19 07-94	Spring Selector	48	532 17 51-05	Retainer, Drive, LH
19	532 19 06-22	Knob, Selector Spring	49	532 17 51-03	Gear, Pinion
20	812 00 00-22	E-Ring	50	532 17 51-02	Retainer, Drive, RH
21	532 16 33-65	Bearing, Support	51	532 18 75-30	Case, Lower
22	532 16 99-11	Bearing, Ball	52	532 18 75-31	Case, Upper
23	532 16 45-55	Retainer, Drive Assembly, Stamped	53	532 18 75-32	Gear, 24 Teeth
24	532 05 78-08	Screw, Tapping, Hex Head 1/4-20 x .75	54	532 18 75-33	Shaft, Input
25	532 19 05-14	Cover Drive	55	532 19 12-49	Wire, Formed
26	532 75 06-34	Screw, Threaded, Rolled #10-25 x .50	56	532 18 35-06	Bearing, Ball
27	532 05 21-60	Washer	57	532 18 35-08	Seal, Output Shaft
28	812 00 00-58	E-Ring 7/16	58	532 18 35-09	Washer
29	532 18 94-03	Cover, Dust, Wheel	59	532 18 35-11	Bushing
30	532 17 51-04	Disc, Drive	60	532 19 09-48	Shaft, Output
31	532 18 41-72	Seal, Friction	61	532 18 35-13	Screw
			62	532 18 35-14	Seal, Input Shaft

19

**NOTE:** All component dimensions given in U.S. inches. 1 inch = 25.4 mm

**IMPORTANT:** Use only Original Equipment Manufacturer (O.E.M.) replacement parts. Failure to do so could be hazardous, damage your unit and void your warranty.